

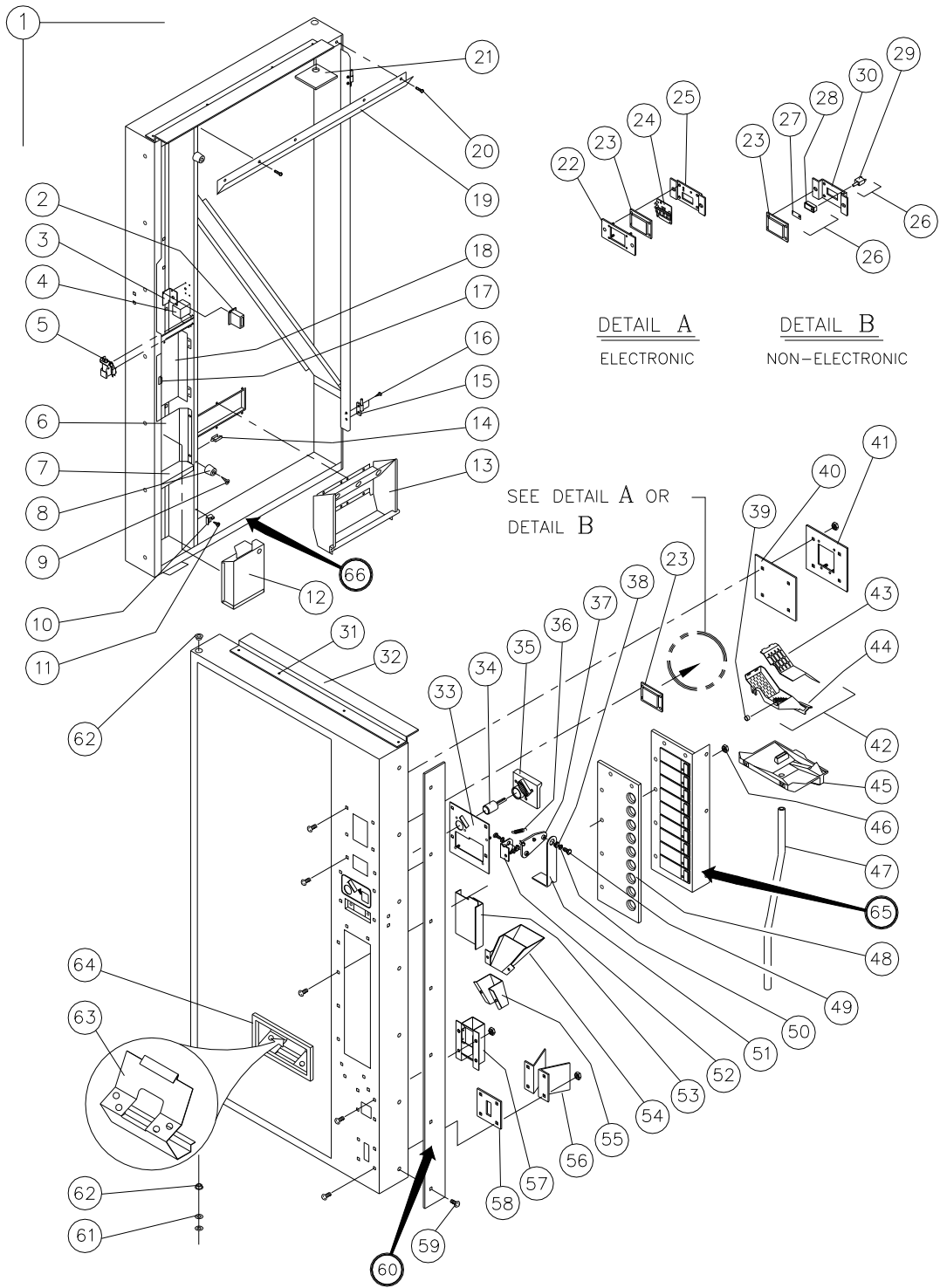
8.96



“ROBO DOOR”- MAIN DOOR

ITEM NO.	DESCRIPTION	REQ.	39 X 72 PART NO.	39 X 79 PART NO.
1	OUTER DOOR COKE - NON ELECTRONIC - 7 SELECT	1	1031074-1	1031074
~	OUTER DOOR COKE - NON ELECTRONIC - 9 SELECT	1	1031074-3	1031074-2
~	OUTER DOOR PEPSI - NON ELECTRONIC - 8 SELECT	1	1031066-1	1031066
~	OUTER DOOR PEPSI - NON ELECTRONIC - 10 SELECT	1	1031066-3	1031066-2
~	OUTER DOOR TRADE - NON ELECTRONIC - 8 SELECT	1	1031082-1	1031082
~	OUTER DOOR TRADE - NON ELECTRONIC - 10 SELECT	1	1031082-3	1031082-2
~	OUTER DOOR COKE - ELECTRONIC - 9 SELECT	1	1031074-4	1031074-5
~	OUTER DOOR PEPSI - ELECTRONIC - 10 SELECT	1	1031066-4	1031066-5
2	LOCK ASSEMBLY - SEE PAGE H8	1	--	--
3	SELECTION PANEL - SEE PAGE H8	1	--	--
4	DOOR HARNESS - NON ELECTRONIC - 7 SELECT	1	1027956	1027956
~	DOOR HARNESS - NON ELECTRONIC - 9 SELECT	1	1027964	1027964
~	DOOR HARNESS - NON ELECTRONIC - 8 SELECT	1	1027948	1027948
~	DOOR HARNESS - NON ELECTRONIC - 10 SELECT	1	1027972	1027972
~	SELECTION HARNESS - ELECTRONIC - 9 SELECT	1	1001094	1001094
~	SELECTION HARNESS - ELECTRONIC - 10 SELECT	1	1012312	1012312
5	DOOR FRAME WELD	1	1037463-1	1037463
6	DOOR GUARD	1	1037471-1	1037471
*7	SIGN DECAL - COKE	1	~	~
*~	SIGN DECAL - PEPSI	1	~	~
8	INNER DOOR ASSEMBLY	1	13402-3	134302-4
9	INNER DOOR PANEL	1	134438-1	134438
10	INNER DOOR HINGE	2	388148	388148
11	DOOR HANDLE	1	388305	388305
12	CARRIAGE BOLT - HANDLE	1	V329258	V329258
13	GROMMET	2	388090	388090
14	GASKET	1	389622-3	389622-4
15	DELIVERY EYELET DOOR	1	1013076	1013076
16	HINGE PIN	1	389985	389985
17	TAP SCREW #10-16 x 3/8	A/R	V800570	V800570
18	SELF-DRILL SCREW 10-16 x 1/2	A/R	V801489	V801489

* NOTE: WHEN ORDERING OUTER DOOR ASSEMBLY, PLEASE PROVIDE **9-CODE AND MANUFACTURER'S DATE CODE.**



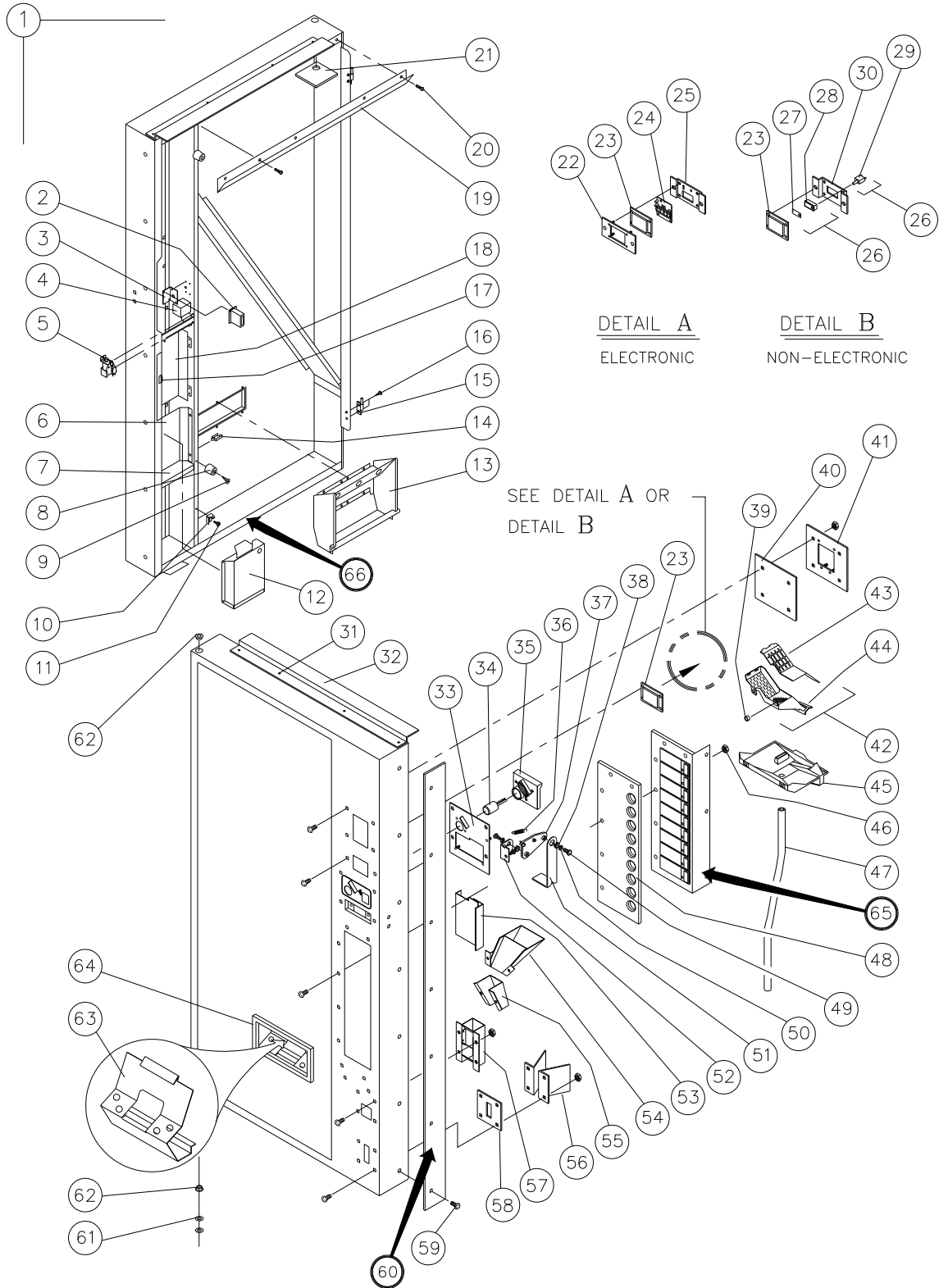


“ROBO DOOR”- OUTER DOOR

ITEM NO.	DESCRIPTION	REQ.	PART NO.
1	OUTER DOOR - SEE PAGE B-2	1	--
**2	COUNTER - PEPSI OR OPTION	1	369016
**3	COUNTER - PEPSI OR OPTION	1	390240
**4	CREDIT RELAY	1	353343
**5	RELAY SEQUENCER -COKE ONLY	1	387804
6	BARRIER PANEL	1	388244
7	BULKHEAD	1	388119
8	BUMPER - DOOR	2	1036912
9	SELF-TAP SCREW #10-16 x 1/2	2	V801489
10	RAMP - INNER DOOR	1	1016962
11	SELF-TAP SCREW #10-16 x 1/2	A/R	V801489
12	COIN BOX	1	133563
13	DELIVERY HOPPER ASSEMBLY	1	133574
14	CLAMP PUSH MOUNT	2	384692-2
15	HINGE - INNER DOOR	2	388149
16	SELF-TAP SCREW #10-16 x 1/2	A/R	V801489
17	LATCH - COINAGE DOOR	1	389612
18	COINAGE DOOR ASSEMBLY	1	133435
19	RAIN GUTTER	1	388581-1
20	SELF-TAP SCREW #10-16 x 1/2	A/R	V801489
21	BACKING PLATE	1	388443
22	MOUNTING PLATE - DIGITAL DISPLAY	1	1019112
23	LENS - DISPLAY	1	1012088
24	PCB - DIGITAL DISPLAY	1	--
25	RETAINER - DIGITAL DISPLAY	1	1019627
26	CORRECT CHANGE LIGHT ASSEMBLY	1	1020544
27	CORRECT CHANGE LIGHT LABEL	1	1001973
28	CORRECT CHANGE LIGHT HOUSING	1	1001965
29	CORRECT CHANGE LIGHT	1	388277
30	RETAINER - CORRECT CHANGE LAMP	1	1037544
31	RIVET 1/8 DIA x .419 LONG	A/R	V801471
32	DOOR RAIN GUARD	1	133647-2
33	GUIDE PLATE ASSEMBLY	1	1030035
34	BUTTON - COIN RETURN	1	1002279
35	GUIDE PLATE - COIN INSERT/RETURN	1	1030086
36	SPRING	1	1045075

*NOTE: WHEN ORDERING OUTER ASSEMBLY, PLEASE **PROVIDE AND MANUFACTURER'S DATE CODE.**

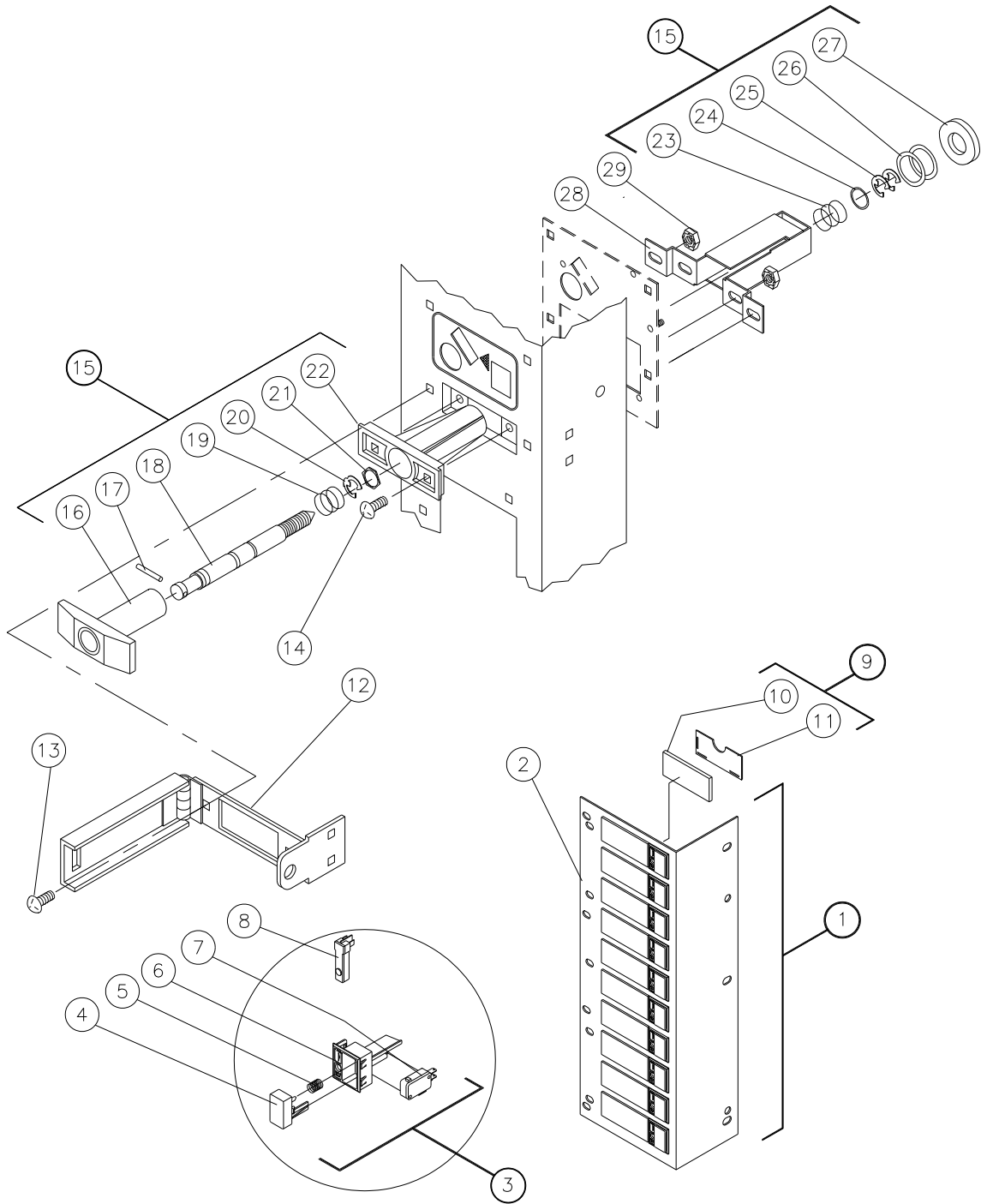
**NOTE: NOT USED ON ELECTRONIC VENDORS.





“ROBO DOOR” - OUTER DOOR (CONTINUED)

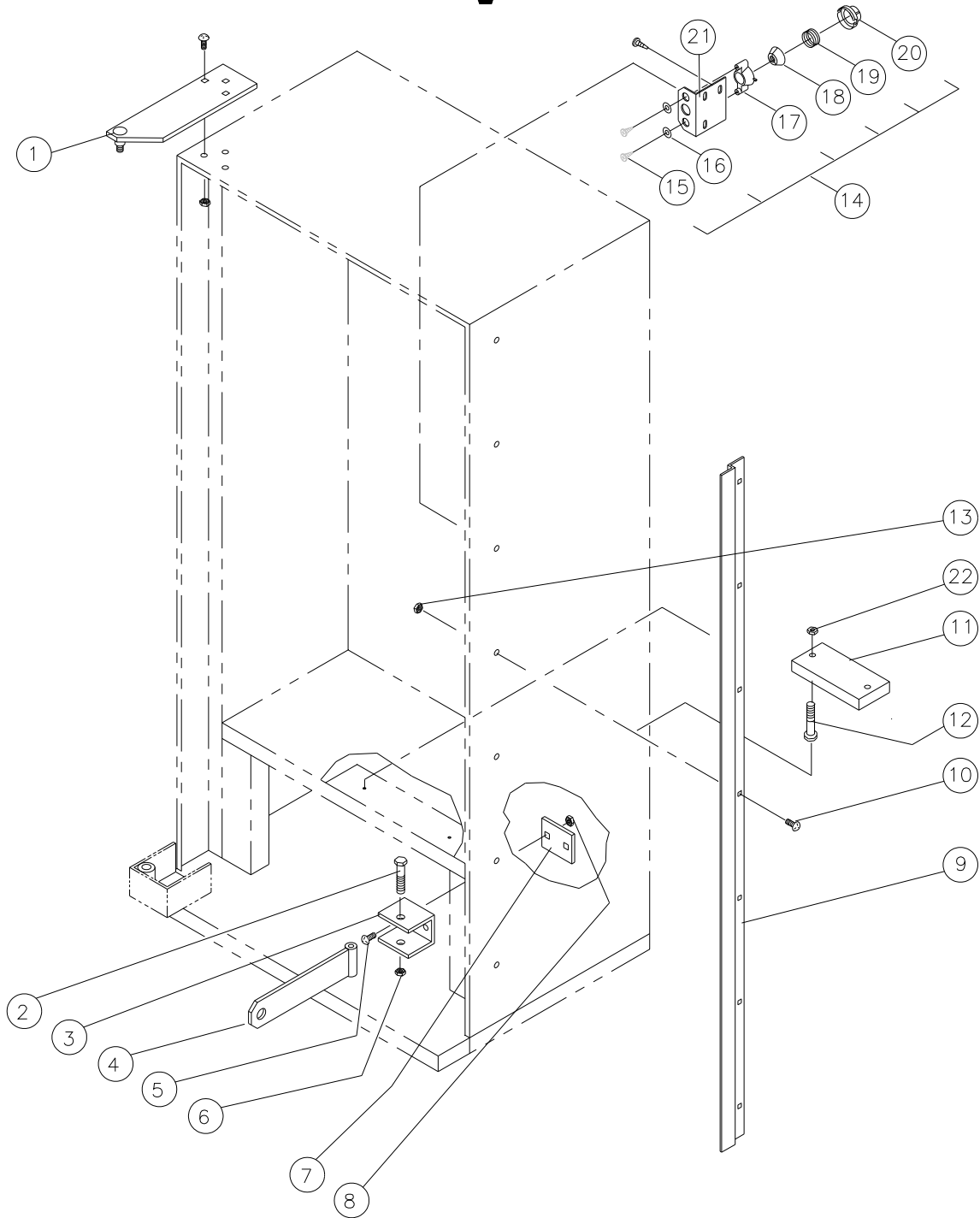
ITEM NO.	DESCRIPTION	REQ.	PART NO.
~	OUTER DOOR - CONTINUED	~	~
37	CRANK - COIN RETURN LEVER	1	1002244
38	BUSHING	A/R	385603-4
39	CUP WASHER	1	337241-1
40	PLUG - DBV	1	1037552
41	BEZEL - DBV	1	1037579
42	COIN CHUTE ASSEMBLY	1	1034154
43	COIN CHUTE	1	1002333
44	COVER - COIN CHUTE	1	1002341
45	TRAY - WATER COLLECTION	1	1002376
46	NUT - 1/4-20 W/LW	A/R	V800959
47	DRAIN TUBING	1	340061-5
48	COVER BUTTON PANEL - 7 SELECT	1	1029711
~	COVER BUTTON PANEL - 8 SELECT	1	1029711-1
~	COVER BUTTON PANEL - 9 SELECT	1	1029711-2
~	COVER BUTTON PANEL - 10 SELECT	1	1029711-3
49	TAP SCREW # 8-10 x 1/2	2	V801493
50	#10 FLAT WASHER	2	V801013
51	LEVER - COIN RETURN	1	1002236
52	PIVOT BRACKET COIN RETURN	1	1030477
53	COIN CHUTE WELD	1	1030434
54	COIN CHUTE WELD	1	1030906
55	COIN CHUTE EXTENSION	1	1030671
56	GUIDE HASP	2	1019104
57	COIN RETURN CUP ASSEMBLY	1	1032607
58	HASP REINFORCEMENT PLATE	1	1019147
59	CARRIAGE BOLT 1/4 - 20 x 3/4	A/R	V801434
60	DOOR GUARD - SEE PAGE G-2	1	--
61	FLAT WASHER - 3/8	2	V801491
62	BUSHING - DOOR HINGE	2	388094
63	HOPPER GUARD	1	1037587
64	EYELET TRIM	1	387125
65	SELECTION PANEL - SEE PAGE G-8	1	--
66	DOOR HARNESS - SEE PAGE G-2	1	--





“ROBO DOOR” - SELECTION PANEL

ITEM NO.	DESCRIPTION	REQ.	PART NO.
1	SELECTION PANEL ASSEMBLY - NON ELECTRONIC - 7 SELECT	1	1037501-3
~	SELECTION PANEL ASSEMBLY - NON ELECTRONIC - 8 SELECT	1	1037501-2
~	SELECTION PANEL ASSEMBLY - NON ELECTRONIC - 9 SELECT	1	1037501-1
~	SELECTION PANEL ASSEMBLY - NON ELECTRONIC - 10 SELECT	1	1037501
~	SELECTION PANEL ASSEMBLY - ELECTRONIC - 9 SELECT	1	1037528-1
~	SELECTION PANEL ASSEMBLY - ELECTRONIC - 10 SELECT	1	1037528
2	SELECTION PANEL - 7 SELECT	1	1037536-3
~	SELECTION PANEL - 8 SELECT	1	1037536-2
~	SELECTION PANEL - 9 SELECT	1	1037536-1
~	SELECTION PANEL - 10 SELECT	1	1037536
3	SELECTION BUTTON ASSEMBLY - NON ELECTRONIC	A/R	1005251-98
4	SELECTION BUTTON - GRAY	1	1008919
5	SPRING - SELECTION BUTTON	1	388858
6	HOUSING - SELECTION BUTTON	1	1006932
7	SELECTION SWITCH	1	368299
8	SOLD OUT LIGHT - NON ELECTRONIC	1	383991
~	SOLD OUT PLUG - ELECTRONIC	1	1006975-1
9	SELECTION WINDOW ASSEMBLY	A/R	133431
10	WINDOW	1	388223
11	WINDOW BACK	1	388116
12	LOCK - COVER WELD	1	1037595
13	CARRIAGE BOLT - 1/4 - 20 x 3/4	2	V801434
14	CARRIAGE BOLT - 1/4 - 20 x 5/8	2	V329258-2
15	LOCK ASSEMBLY - QUICKER LOCK	1	1037609
16	T- HANDLE	1	387603
17	PIN STUD	1	387601
18	LOCK STUD - QUICKER LOCK	1	1028472
19	SPRING	1	389691
20	E-RING RETAINER	1	388589
21	HEX WASHER	1	387600
22	FLANGE	1	387597
23	SPRING	1	389691
24	FLAT WASHER	1	387718
25	E-RING RETAINER	2	387719
26	WASHER - 1/2"	2	V801023
27	VAPOR SEAL	1	388132
28	REINFORCEMENT BRACKET WELD	1	1037617
29	NUT - 1/4 20 W/LW	4	V800959





“ROBO DOOR” - CABINET COMPONENTS

ITEM NO.	DESCRIPTION	REQ.	PART NO.
1	TOP HINGE WELD	1	133445
2	CAP SCREW 1/4-20 x 2 1/2 GR.5	1	V802090
3	BRACKET HASP	1	1037625
4	HASP WELD	1	1037633
5	CARRIAGE BOLT - 1/4-20 x 3/4	2	V801434
6	LOCK NUT - 1/4-20	1	V802054
7	HASP REINFORCEMENT PLATE	1	1033603
8	NUT - 1/4-20 W/LW	2	V800959
9	DOOR GUARD - OVERLAPPING - 72"	1	1037498-1
~	DOOR GUARD - OVERLAPPING - 79"	1	1037498
10	CARRIAGE BOLT - 1/4-20 x 3/4	A/R	V801434
*11	COUNTER WEIGHT	2	1035924
12	SCREW 1/4-20 x 2 1/4 HH	1	V802053
13	NUT - 1/4-20 W/LW	A/R	V800959
14	QUICKER LOCK ASSEMBLY	1	1018507
15	SCREW - TAPPING	2	V802044
16	FLAT WASHER	2	389026
17	RETAINER - NUT SEGMENTS	1	389022
18	NUT SEGMENT - (SET OF THREE)	1	1033085
19	SPRING	1	389690
20	CAP	1	389689
21	LATCH BRACKET	1	1027115
22	LOCK NUT - 1/4-20	2	V802054

*NOTE: COUNTER WEIGHT IS REQUIRED ON THE SALES MANAGER.